

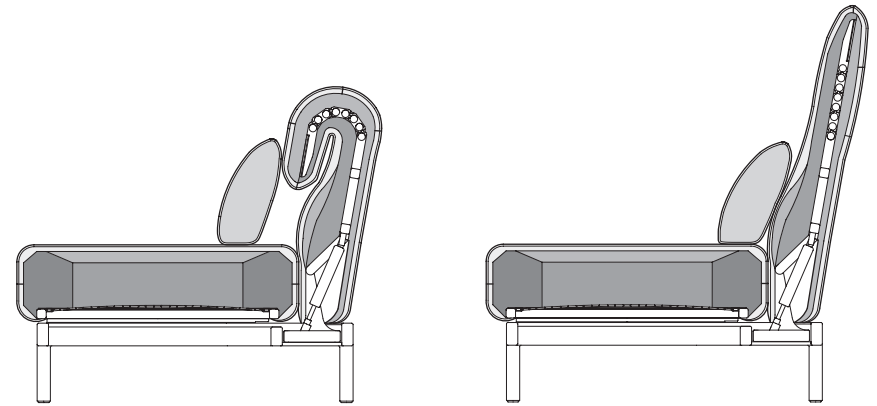
TECHNICAL DATA

ROLF BENZ PLURA



**ROLF
BENZ**

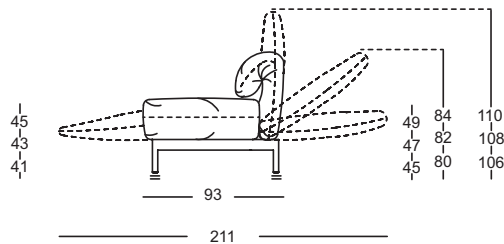
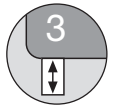
- Frame metal optionally:
 - Fine-grain steel, powdercoated, matt :
 - Silver
 - RAL 9017 Traffic black
 - RAL 7022 Umbra grey
 - Steel high-gloss chrome
- Seat heights optionally 41 or 43 or 45 cm
- Seat with metal inner frame and integrated rotary function
- Nosag spring support
- Seat made from polyurethane foam, constructed in layers of different thicknesses and firmnesses, matched to one another, and covered with polyester fleece
- Backrest with metal inner frame and integrated adjustment function
- Back in polyurethane foam built up in coordinated layers of varying height, and firmness and covered with non-woven polyester
- Downy-soft cushions with a filling of foam rods and polyester fibres



High-quality, casual upholstery that forms waves/leaves indentations that are typical of the material. All measurements are approximate.

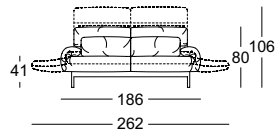
Sofa/Sectional sofa/Corner sectional sofa

Seat heights available

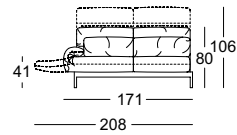


**ROLF
BENZ**

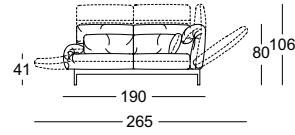
Sofa



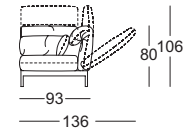
Sectional sofa



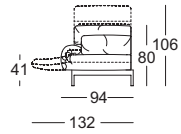
Corner modular sofa element



Corner unit



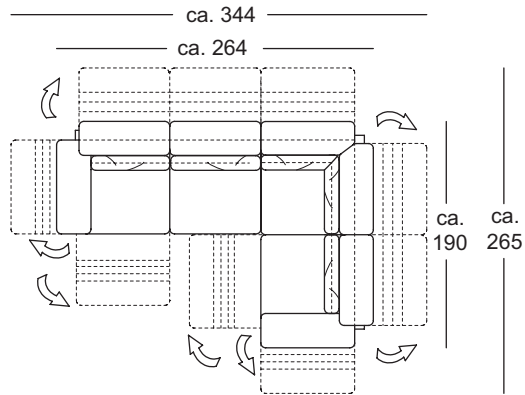
Closing chair with armrest



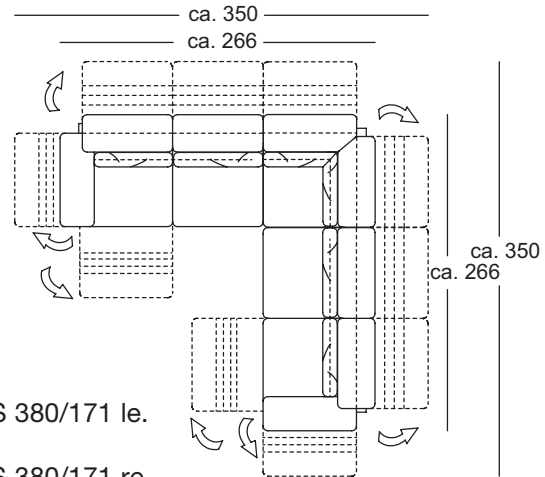
Ottoman



Combination examples:



L-ASO-ES 171 le.
L-E-ASO-ES 190 ri.



L-ASO-ES 380/171 le.
EPT 380
L-ASO-ES 380/171 re.